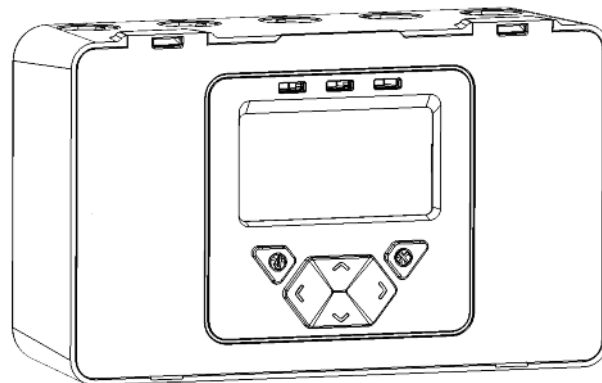
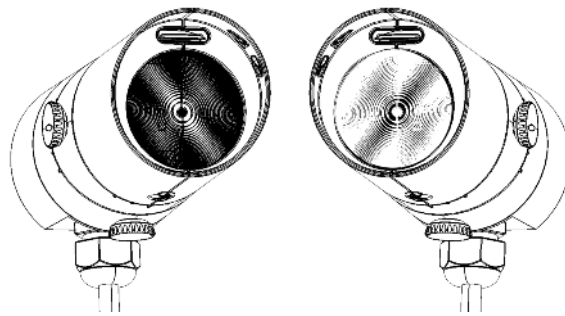


End To End Optical Beam Smoke Detector

Additional Information

EN

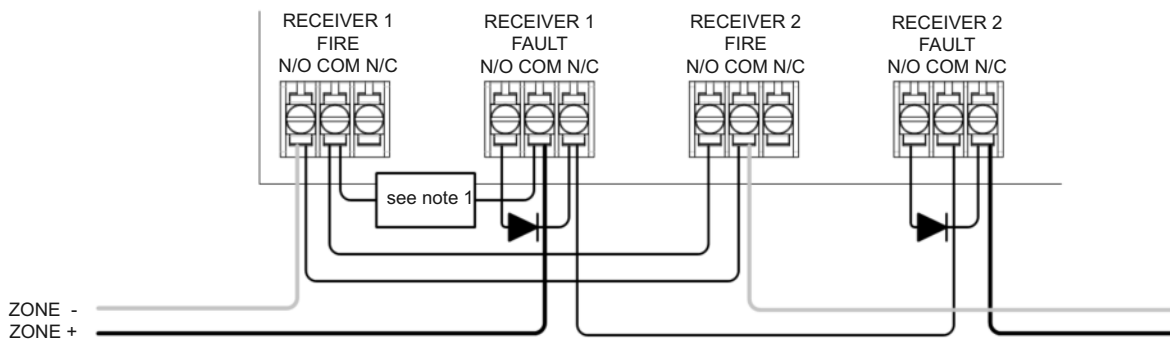


1. Multiple Zone Wiring

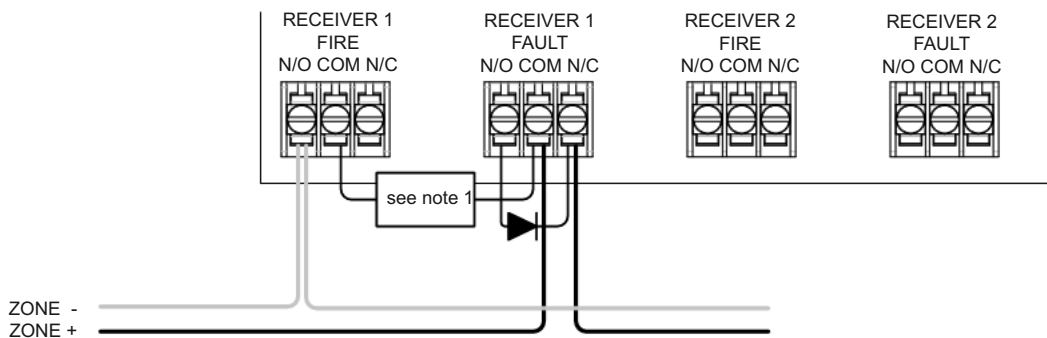
When using more than one System Controller on a single zone of a conventional Fire Control Panel (FCP), it is important to choose the correct method of wiring. Incorrect wiring may result in a Controller isolating subsequent devices on that zone if it enters a Fault condition, and may prevent these subsequent devices signalling a Fire condition back to the FCP.

If the FCP monitors for point detector removal, it is possible to use the following wiring diagrams which use diodes to provide zone continuity in the event of a Fault state on any Controller.

Two Receivers connected to Controller:



Single Receiver connected to Controller on "Receiver 1":

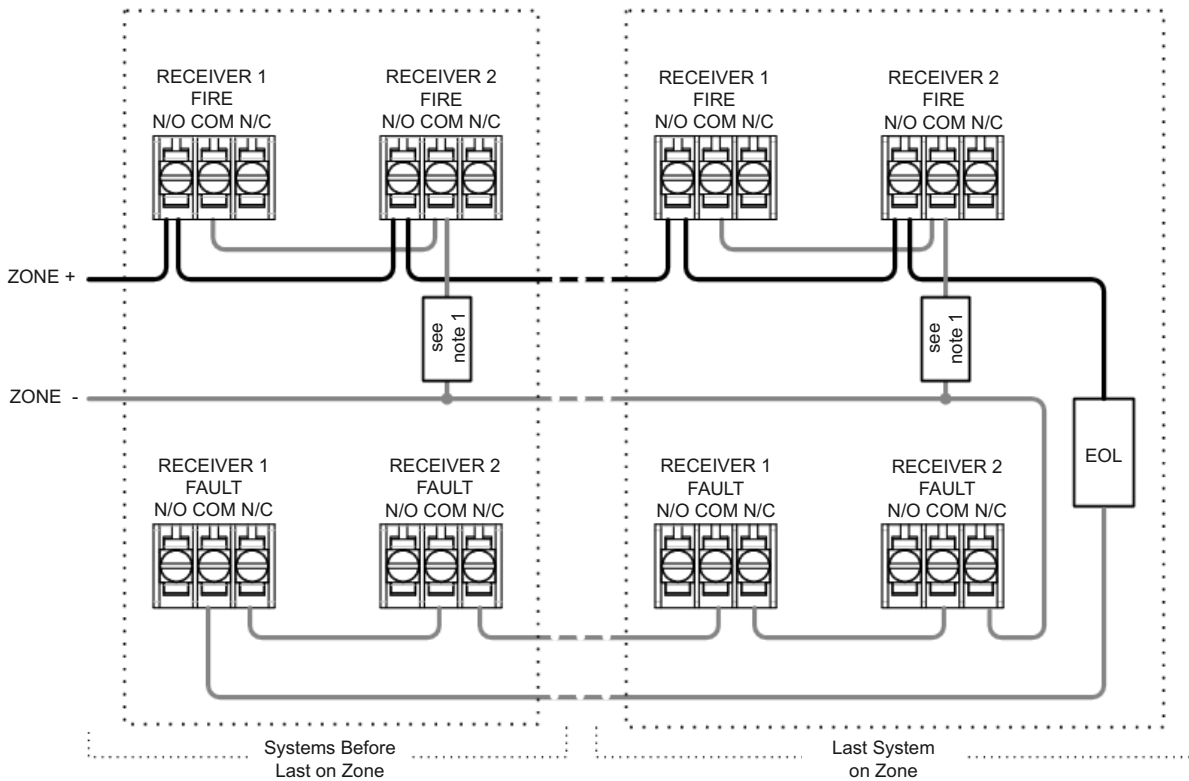


Note 1 - This component is the Fire Resistor. Its value is specified by the FCP manufacturer, and is not supplied with the System Controller. For U.S. installations it is typically a short circuit.

Note 2 - Recommended diode type: Schottky, 60Volt, 1Amp; must be UL listed for installations meeting NFPA72.

1. Multiple Zone Wiring (continued)

If the FCP does not monitor for detector removal, it is recommended that the following wiring diagram be used. For installations conforming to UL268 and NFPA72, the following diagram MUST be used when wiring multiple Controllers onto one zone.



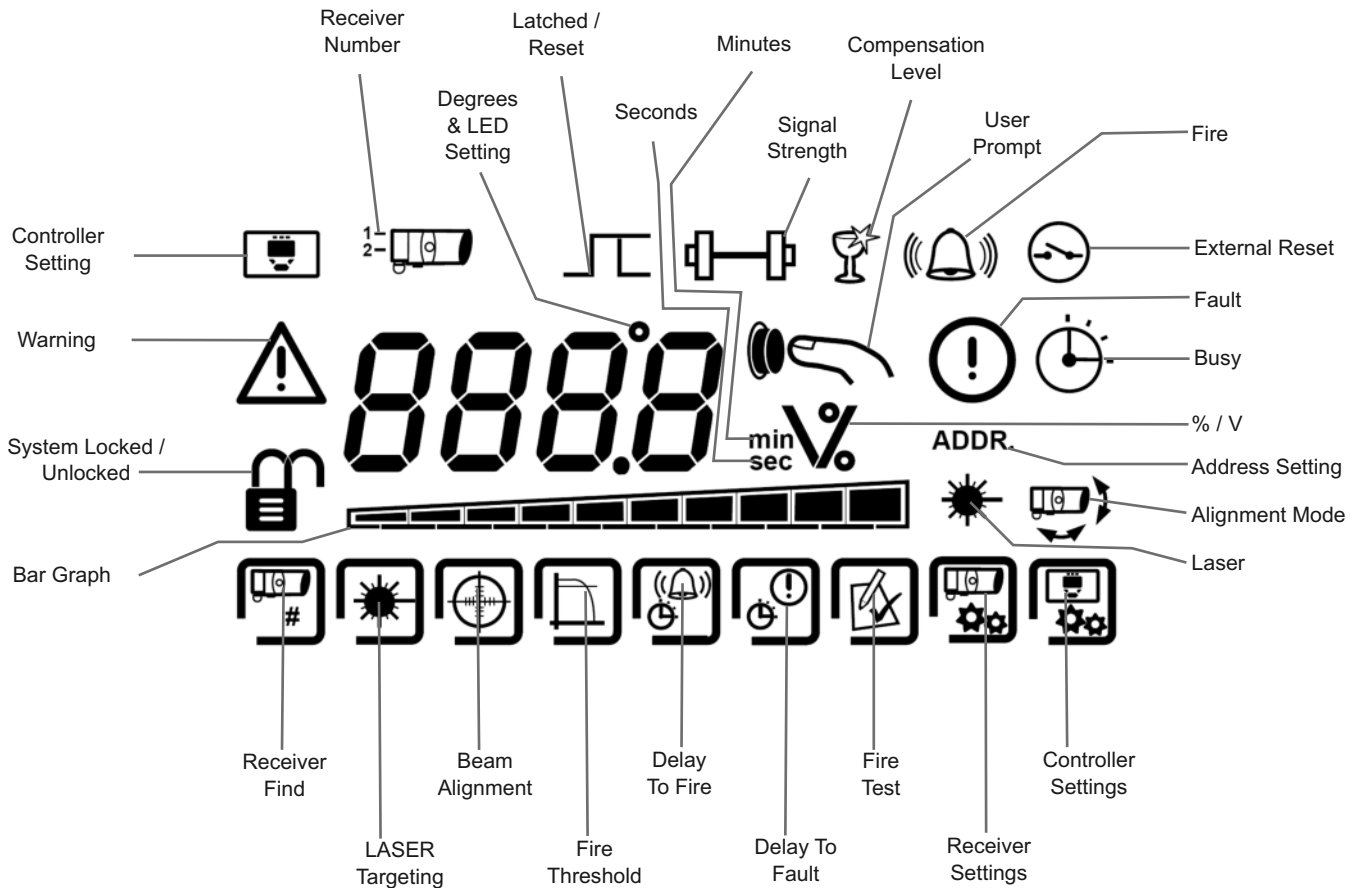
Note 1 - This component is the Fire Resistor. Its value is specified by the FCP manufacturer, and is not supplied with the System Controller. For U.S. installations it is typically a short circuit.

EOL - End of Line component. This is supplied with the FCP, and not supplied with the System Controller.

Do NOT wire to any unused relay pairs.

2. Display and Indicators

2.1 LCD Icon Layout



2.2 Receiver Status Indicators

The Green and Amber LEDs flash during alignment to indicate alignment status. Refer to alignment procedure for further information.

The Red LED will flash every 10 seconds when a fire is detected during normal operation.

2.3 Controller Status Indicators

Condition	(LEFT HAND LED) RECEIVER 1 STATUS LED	(MIDDLE LED) RECEIVER 2 STATUS LED	FIRE RELAY STATE	FAULT RELAY STATE
Normal	No Flash	No Flash	Open	Closed
Fault (Trouble)	Flashes AMBER every 10 seconds	Flashes AMBER every 10 seconds	Open	Open
Fire (Alarm)	Flashes RED every 10 seconds	Flashes RED every 10 seconds	Closed	Closed

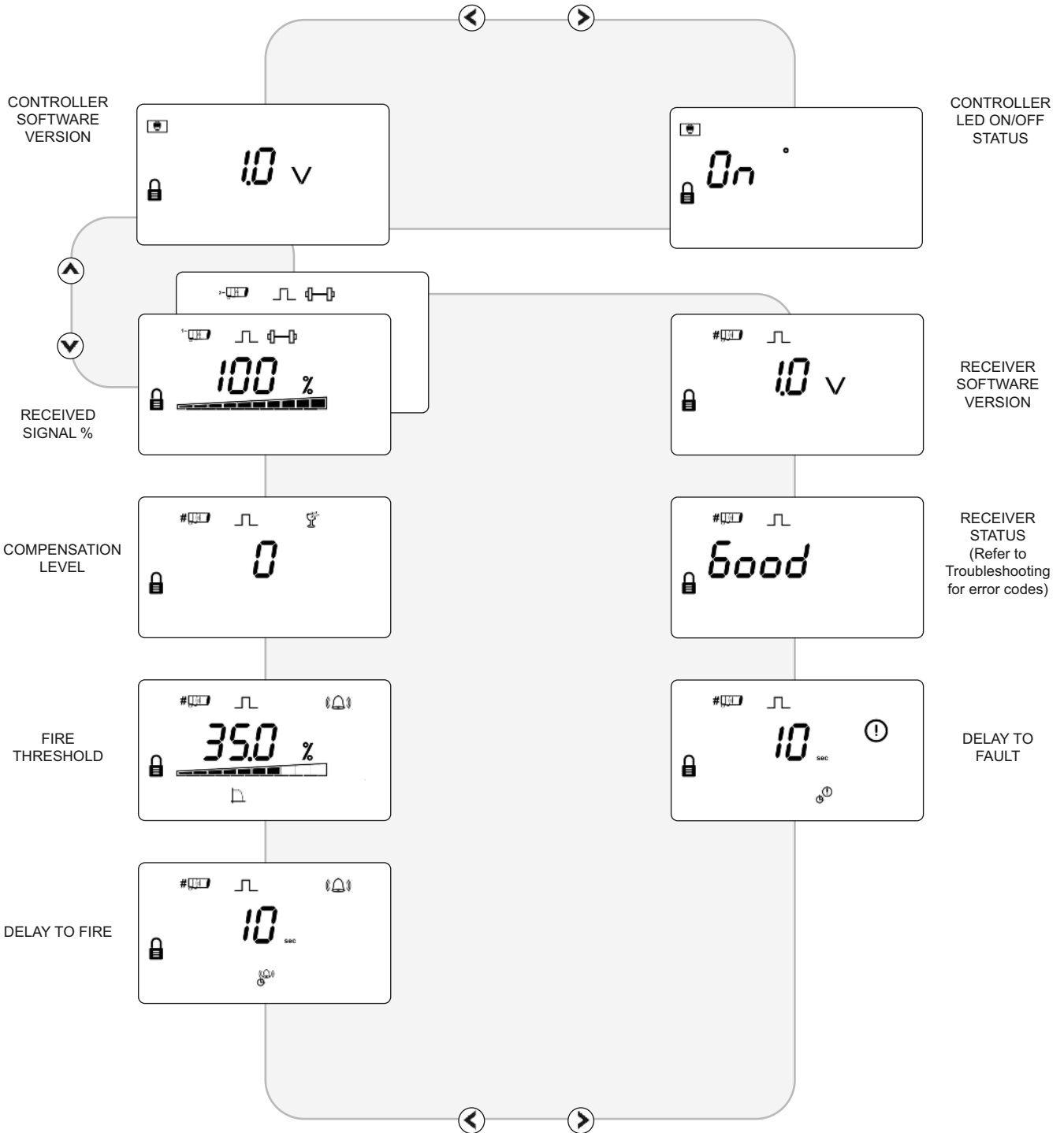
System Controller Status LED (Right-hand LED) flashes green every 10 seconds.

3. User Menu

3.1 User Menu Overview

The USER MENU allows system settings to be viewed only.

The USER MENU will timeout 15 minutes after the last key press.

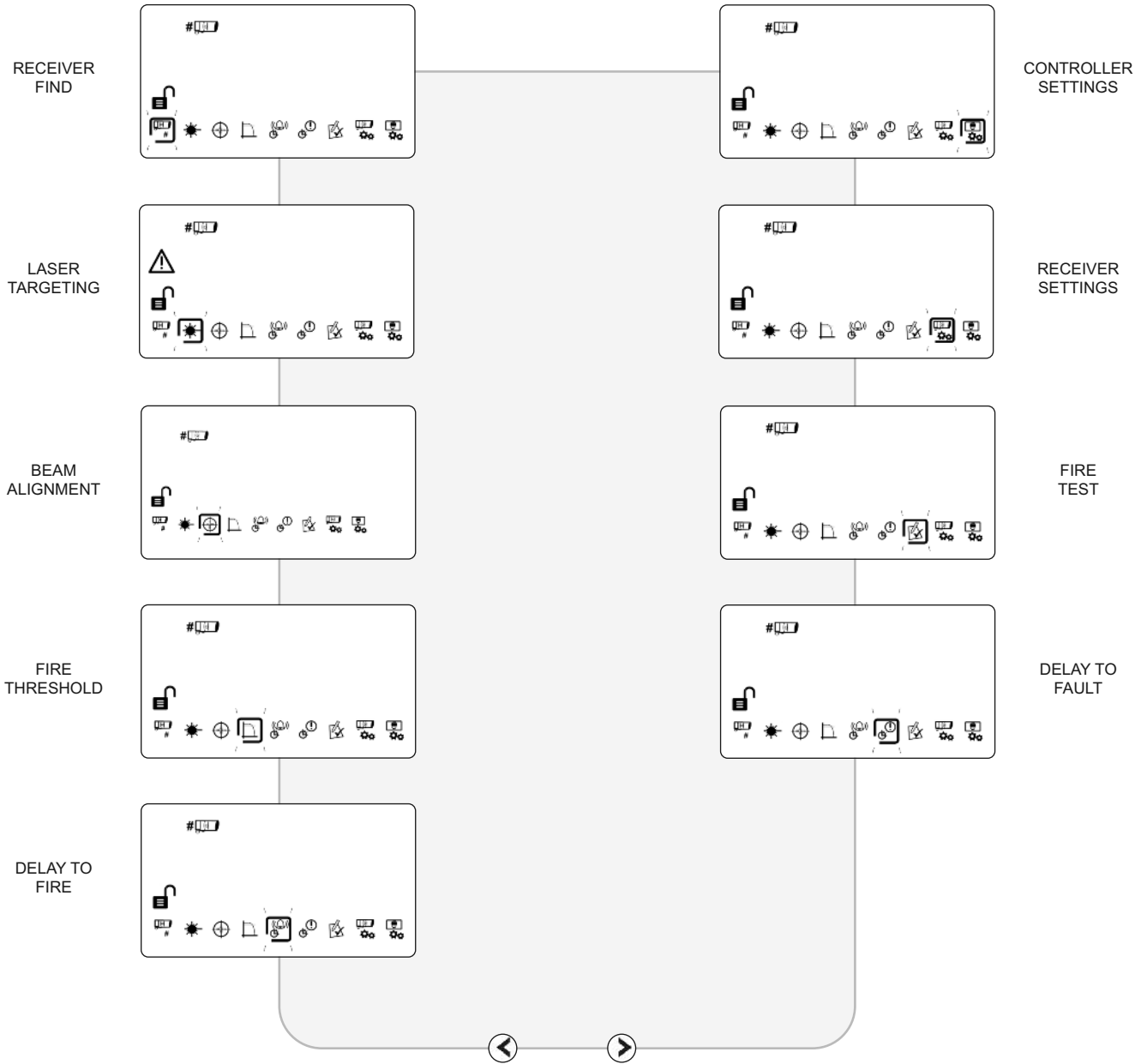


4. Engineering Menu

4.1 Engineering Menu Overview

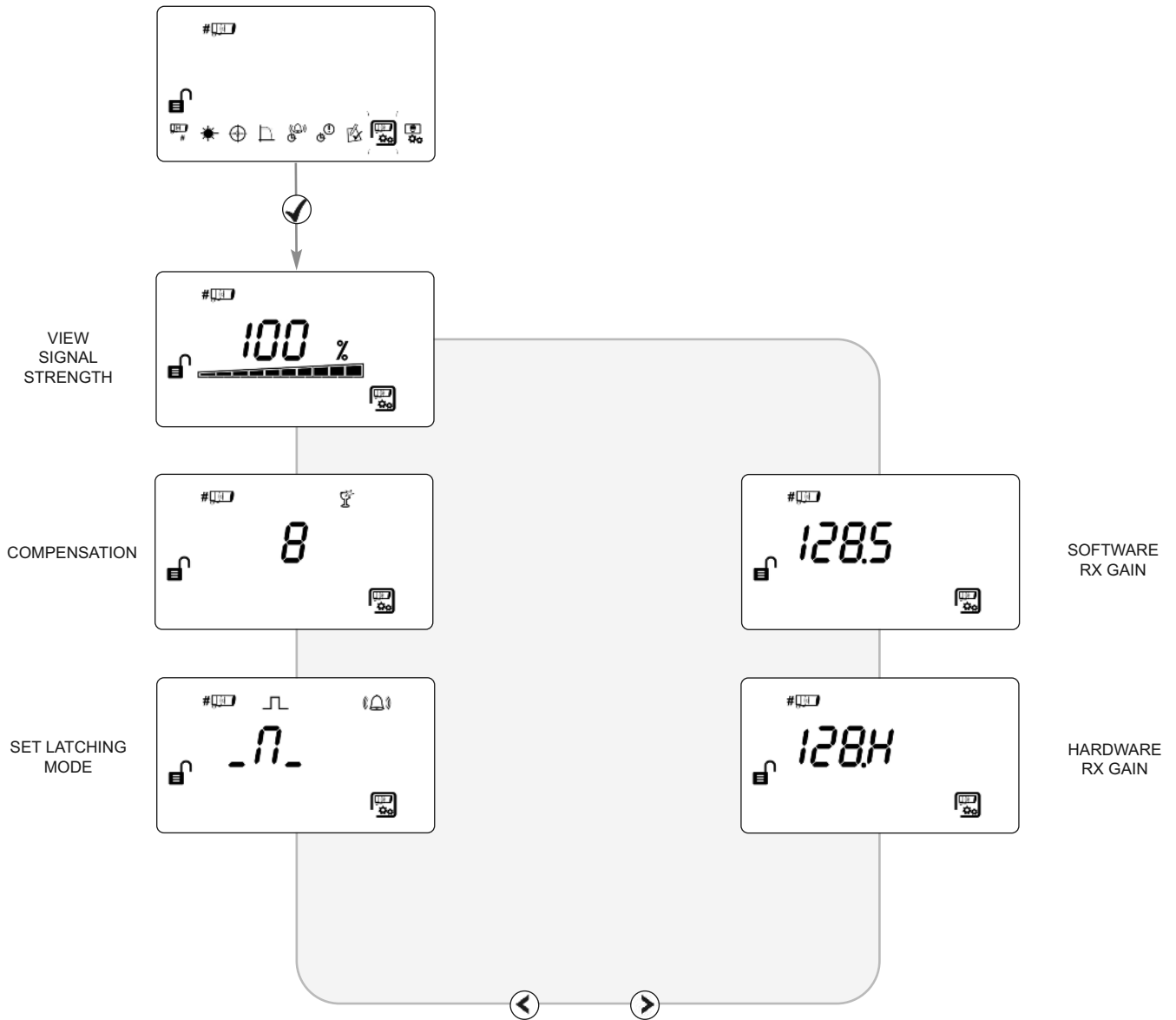
The ENGINEERING MENU allows system settings to be changed.

The ENGINEERING MENU will timeout 60 minutes after the last key press.



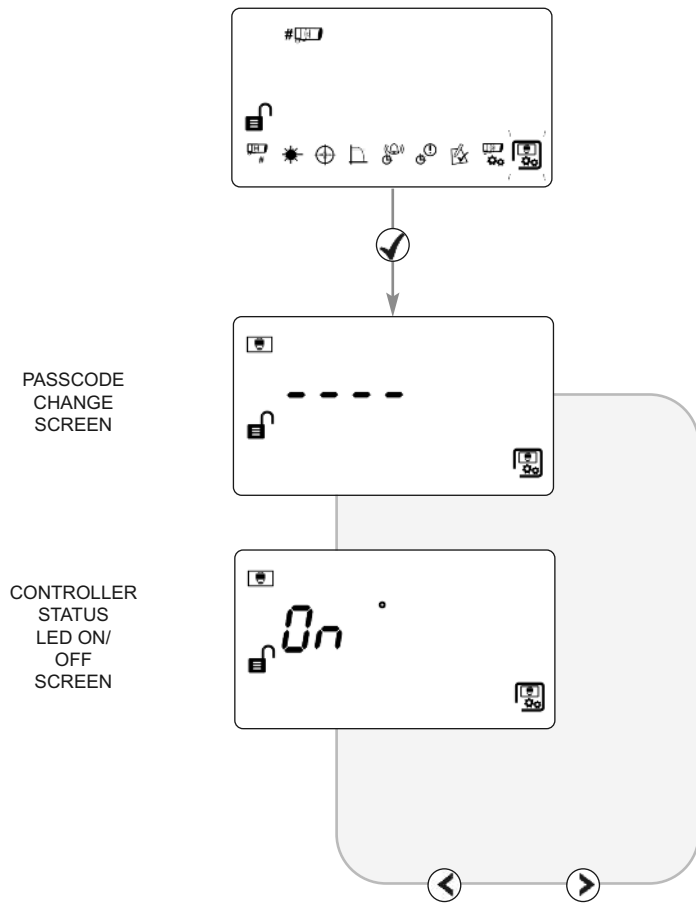
4.2 Receiver Settings

4.2.1 Receiver Settings Overview



4.3 Controller Settings

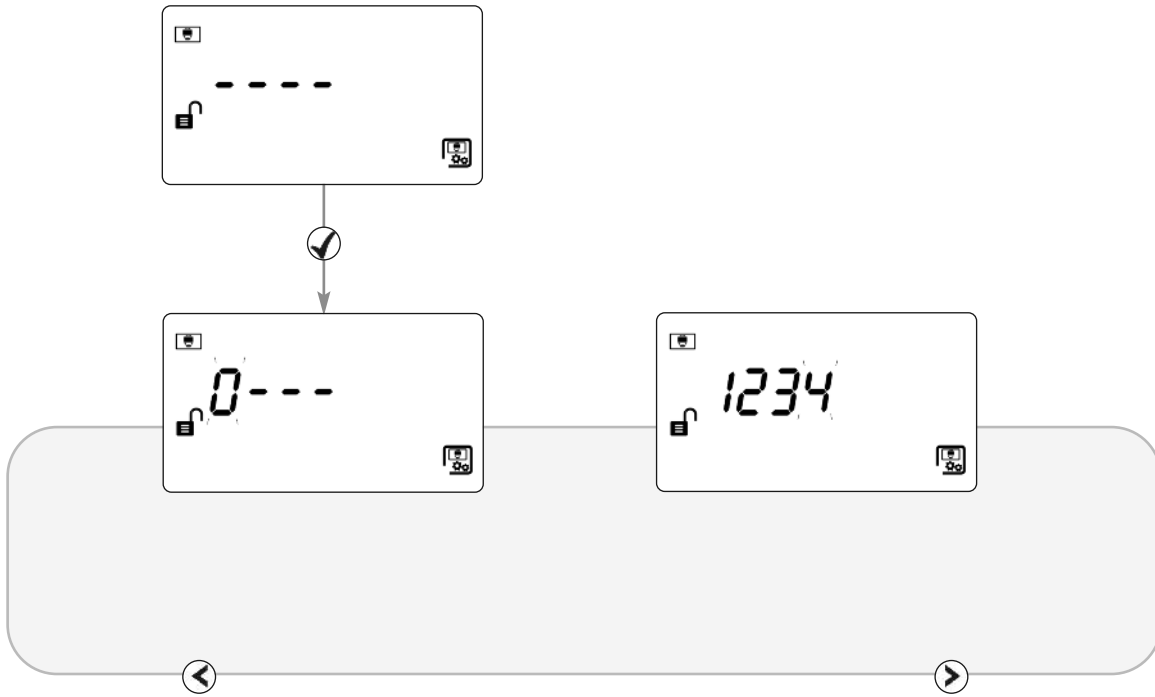
4.3.1 Controller Settings Overview



4.3.2 Passcode Change Screen

- This screen allows the user to change the Pass Code used to access the ENGINEERING MENU.

NOTE: The number being altered flashes. A partial passcode (ie. with dashes in it) will not be accepted.



Default Pass Code: **1 2 3 4**

- ⬆ ⬇ Change digit
- ⬅ ➡ Move between digits
- ✔ Save new Pass Code
- ✘ Abort change

4.3.3 Controller Status LED ON/OFF Screen

This setting controls whether the System Controller Status LED will flash.

- OR Toggle ON or OFF
- Confirm setting
- Abort change

