



1000-018

Fireray® 3000 & 5000 Detector - Protective Wire Cage



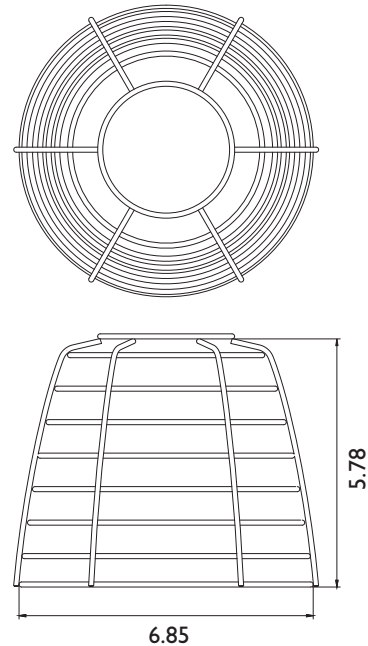
Mounted on a 5000-011 Surface Mount Uni-Box



Specification

■ Weight: 15 oz.

Dimensions (in)



Installation

1. Center the Protective Wire Cage over existing unit, making sure the cutout in the cage is positioned over the beam lens. Use caution not to hit or bump the detector.
2. Position one clamp, mark, drill and install one clamp first, then complete installation of the remaining clamps.
3. The cage can be mounted to either a flat wall or rigid surface or the 5000-011 Surface Mount Uni-Box.
4. If using Fireray® 3000 detector order 3000-202 and 5000-011 separately.



FFE Ltd
1455 Jamike Ave Ste 200, Erlanger
KY 41018-3147 USA

t 940 271 0435
f 972 534 1526
e america@ffeuk.com
w www.ffeuk.com

Formerly known as Fire Fighting Enterprises Ltd

Specifications and wiring information are provided for information only and are believed to be accurate. FFE Ltd assumes no responsibility for their use. Data and design are subject to change without notice. Installation and wiring instructions are shipped with the products and should always be used for actual installation. For more information, contact your Sales Representative.

Document Part No: 24-0032-04