



5000-201

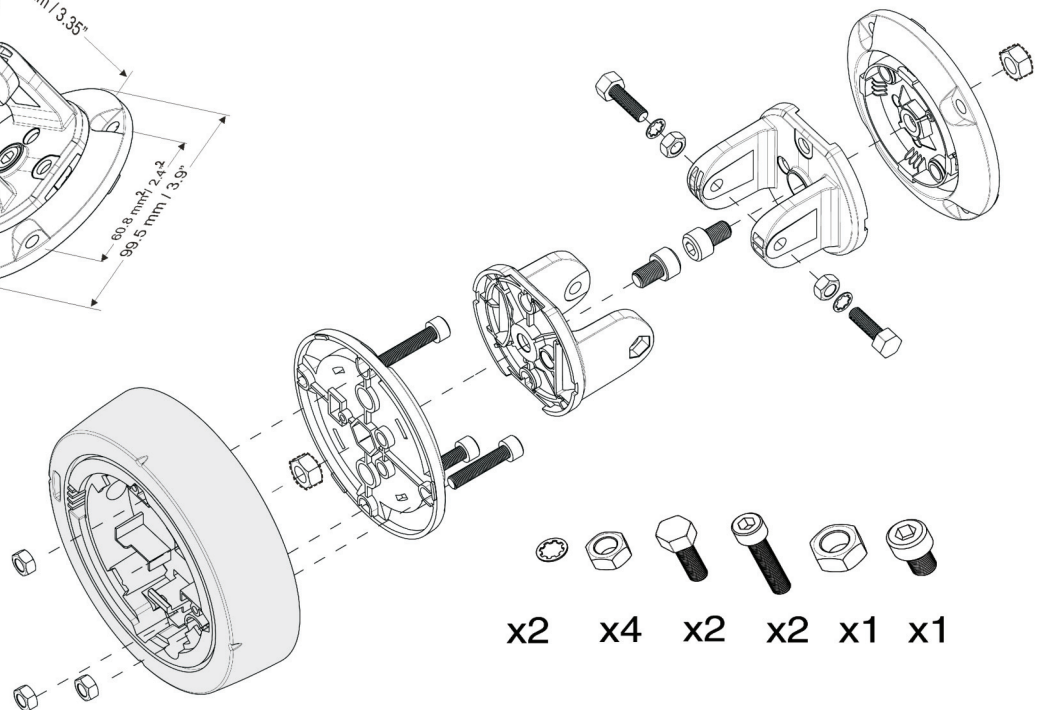
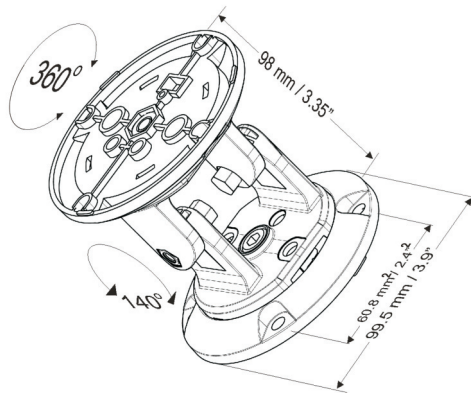
Adjustment Bracket

Specification

The 5000-201 surface mount Universal Mounting Bracket comes pre-drilled to mount the Fireray® 5000 Detector heads allowing 360° x 140° adjustment.

■ Weight: 10 oz.

Dimensions



FFE Ltd
1455 Jamike Ave Ste 200, Erlanger
KY 41018-3147 USA

t 940 271 0435
f 972 534 1526
e america@ffeuk.com
w www.ffeuk.com

Formerly known as Fire Fighting Enterprises Ltd

Specifications and wiring information are provided for information only and are believed to be accurate. FFE Ltd assumes no responsibility for their use. Data and design are subject to change without notice. Installation and wiring instructions are shipped with the products and should always be used for actual installation. For more information, contact your Sales Representative.

Document Part No: 24-0087-02