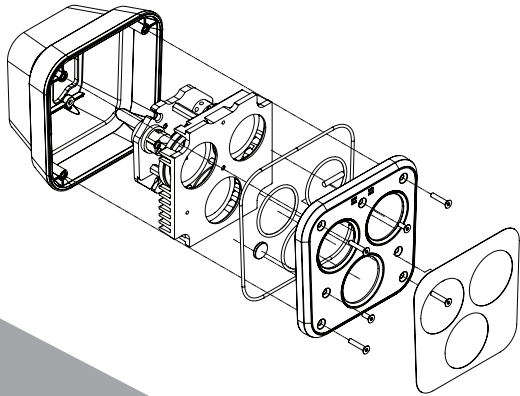
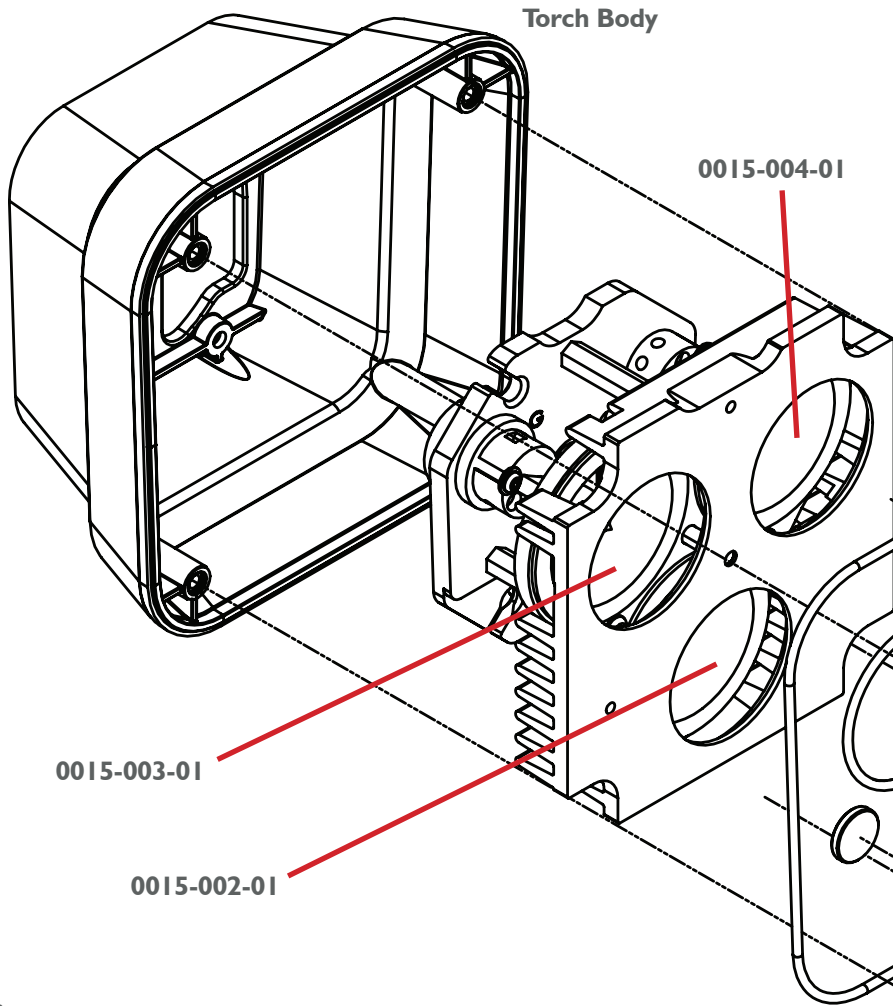




Talentum TT²

Lens Replacement





Procedure:

1. Ensure that the TalentumTT² is switched off and has been allowed to cool down after use.
2. Remove the front decal from the face of the TalentumTT².
3. Using a 2mm Allen key, loosen the four screws sited in the corner of the front face.
4. Gently remove the bulb module from the TalentumTT² enclosure.
5. Remove the front face by loosening the three Allen screws.
6. Remove the lenses from the front face ensuring the O rings remain in place.
7. Fit the new lenses.
8. Replace all screws.
9. Carefully affix the decal contained in the spares kit to the front face.

The lens replacement kit contains:

- 1x Front face decal
- 3x Lenses

You will need:

- 1x2mm Allen key

Bulb Module

