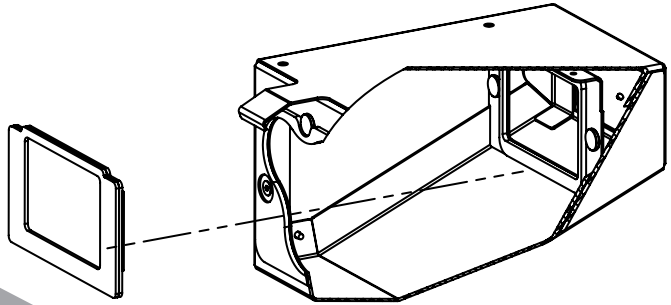




# Talentum TT²

## Diffuser Replacement



## Procedure:

The Calibration Shroud has a light diffuser fitted. The diffuser can be replaced simply by following the instructions below.

1. The diffuser assembly is held in the Shroud with magnets.
2. Insert a screwdriver (or similar) in the front of the Calibration Shroud and release the diffuser.
3. Remove the old diffuser from the Shroud.
4. Insert the new diffuser into the Shroud.
5. Ensure the new diffuser is placed correctly within the Shroud and, if necessary, adjust its position until it fits securely to the magnetic mounting points.

## You will need:

1x2mm Allen key

